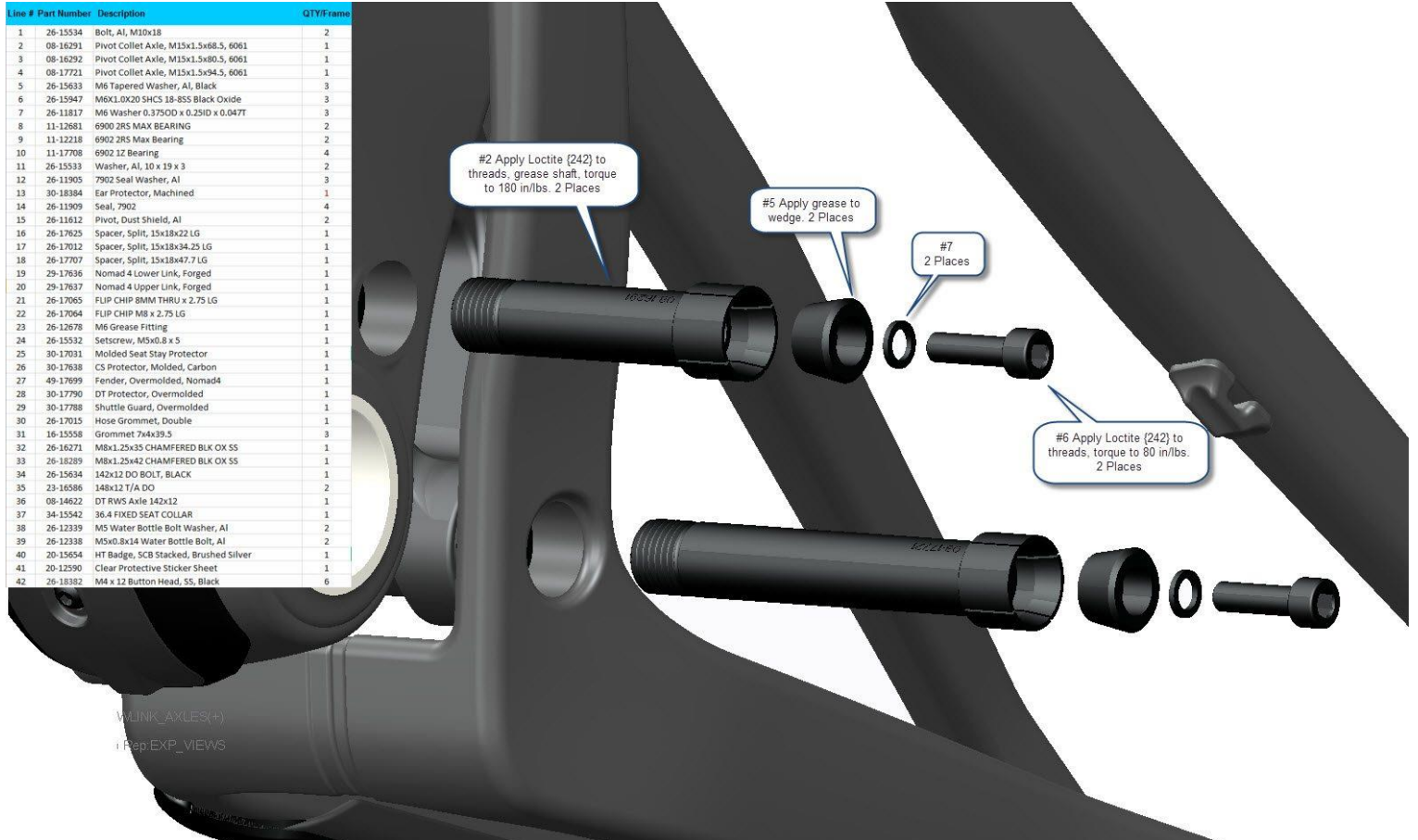


Santa Cruz V4 Nomad LT Link Install

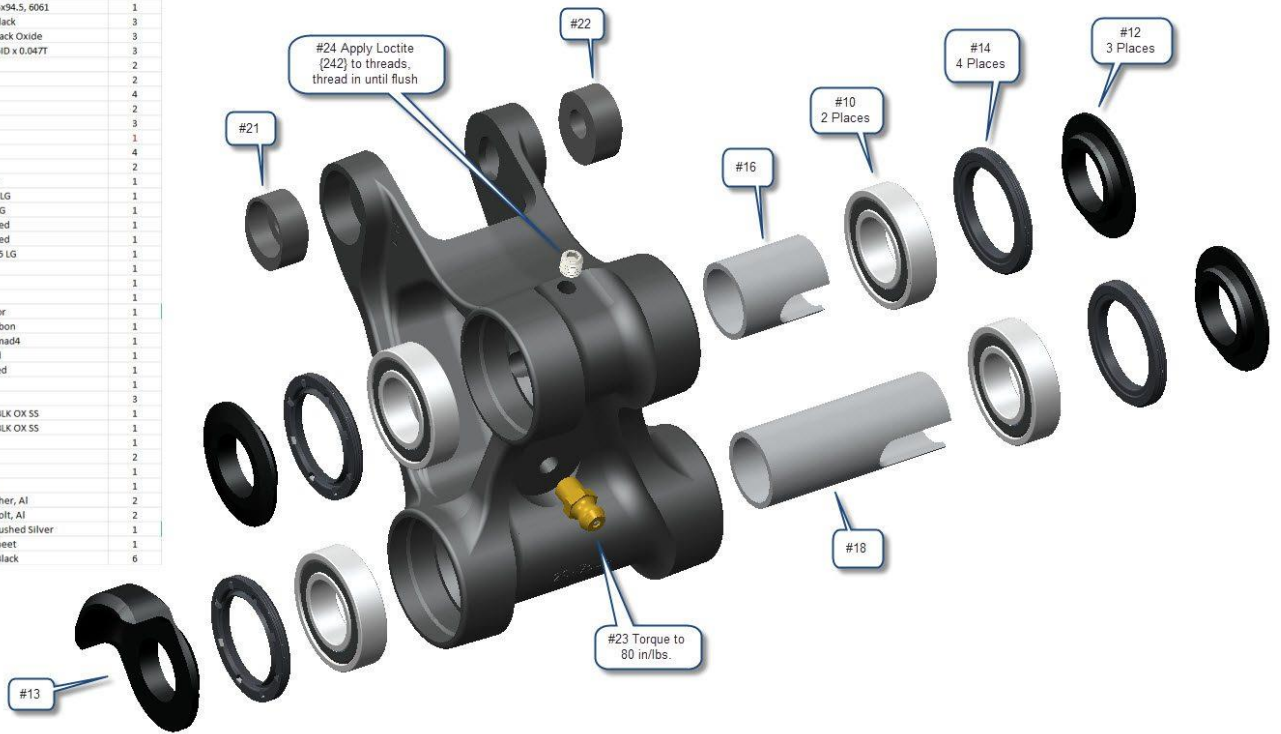
Line #	Part Number	Description	QTY/Frame
1	26-15534	Bolt, Al, M10x18	2
2	08-16291	Pivot Collet Axle, M15x1.5x88.5, 6061	1
3	08-16292	Pivot Collet Axle, M15x1.5x80.5, 6061	1
4	08-17721	Pivot Collet Axle, M15x1.5x94.5, 6061	1
5	26-15633	M6 Tapered Washer, Al, Black	3
6	26-15947	M6X1.0X20 SHCS 18-8SS Black Oxide	3
7	26-11817	M6 Washer 0.375OD x 0.25ID x 0.047T	3
8	11-12681	6902 2RS MAX BEARING	2
9	11-12218	6902 2RS Max Bearing	2
10	11-17708	6902 12 Bearing	4
11	26-13333	Washer, Al, 10 x 19 x 3	2
12	26-11905	7902 Seal Washer, Al	3
13	30-18384	Ear Protector, Machined	1
14	26-11909	Seal, 7902	4
15	26-11612	Pivot, Dust Shield, Al	2
16	26-17625	Spacer, Split, 15x18x22 LG	1
17	26-17012	Spacer, Split, 15x18x34.25 LG	1
18	26-17707	Spacer, Split, 15x18x47.7 LG	1
19	29-17636	Nomad 4 Lower Link, Forged	1
20	29-17637	Nomad 4 Upper Link, Forged	1
21	26-17065	FLIP CHIP 8MM THRU x 2.75 LG	1
22	26-17064	FLIP CHIP 8MM x 2.75 LG	1
23	26-12678	M6 Grease Fitting	1
24	26-15532	Setscrew, M5x0.8 x 5	1
25	30-17031	Molded Seat Stay Protector	1
26	30-17638	CS Protector, Molded, Carbon	1
27	49-17699	Fender, Overmolded, Nomad4	1
28	30-17790	DT Protector, Overmolded	1
29	30-17788	Shuttle Guard, Overmolded	1
30	26-17015	Hose Grommet, Double	1
31	16-15558	Grommet 7x4x39.5	3
32	26-16271	M8x1.25x35 CHAMFERED BLK OX SS	1
33	26-18289	M8x1.25x42 CHAMFERED BLK OX SS	1
34	26-15634	142x12 DO BOLT, BLACK	1
35	23-16586	148x12 T/A DO	2
36	08-14622	DT RWS Axle 142x12	1
37	34-15542	36.4 FIXED SEAT COLLAR	1
38	26-12339	M5 Water Bottle Bolt Washer, Al	2
39	26-12338	M5x0.8x14 Water Bottle Bolt, Al	2
40	20-15654	HT Badge, SCB Stacked, Brushed Silver	1
41	20-12590	Clear Protective Sticker Sheet	1
42	26-18382	M4 x 12 Button Head, SS, Black	6



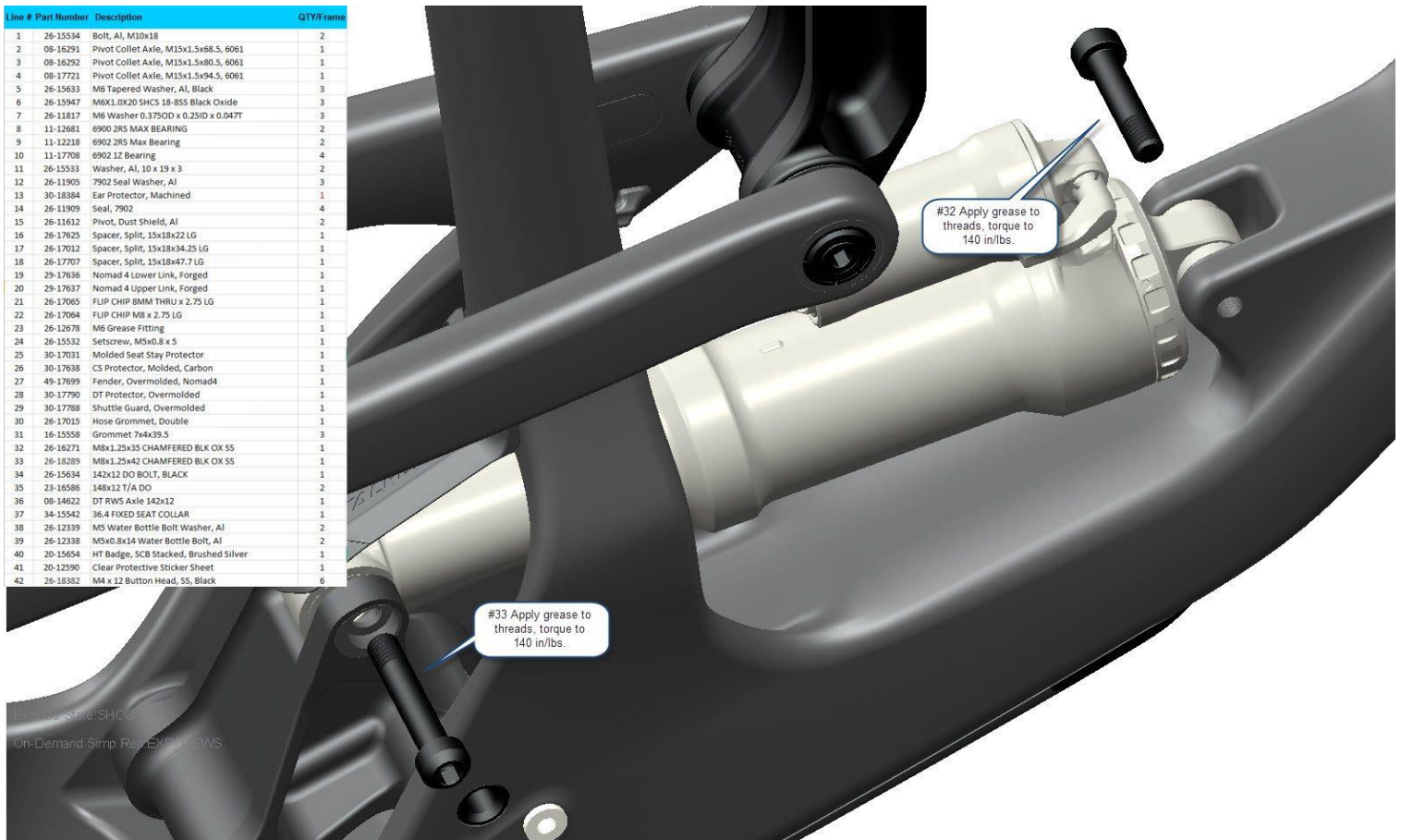
LINK_AXLES(+)

Rep_EXP_VIEWS

Line #	Part Number	Description	QTY/Frame
1	26-15534	Bolt, Al, M10x18	2
2	08-16291	Pivot Collet Axle, M15x1.5x68.5, 6061	1
3	08-16292	Pivot Collet Axle, M15x1.5x80.5, 6061	1
4	08-17721	Pivot Collet Axle, M15x1.5x94.5, 6061	1
5	26-15633	M6 Tapered Washer, Al, Black	3
6	26-15947	M6x1.0x20 SHCS 18-8SS Black Oxide	3
7	26-11817	M6 Washer 0.375OD x 0.25ID x 0.047T	3
8	11-12681	6900 2RS MAX BEARING	2
9	11-12218	6902 2RS Max Bearing	2
10	11-17708	6902 1Z Bearing	4
11	26-15533	Washer, Al, 10 x 19 x 3	2
12	26-11905	7902 Seal Washer, Al	3
13	30-18384	Ear Protector, Machined	1
14	26-11909	Seal, 7902	4
15	26-11612	Pivot, Dust Shield, Al	2
16	26-17625	Spacer, Split, 15x18x22 LG	1
17	26-17012	Spacer, Split, 15x18x34.25 LG	1
18	26-17707	Spacer, Split, 15x18x47.7 LG	1
19	29-17636	Nomad 4 Lower Link, Forged	1
20	29-17637	Nomad 4 Upper Link, Forged	1
21	26-17065	FLIP CHIP 8MM THRU x 2.75 LG	1
22	26-17064	FLIP CHIP MB x 2.75 LG	1
23	26-12678	M6 Grease Fitting	1
24	26-15532	Setscrew, M3x0.8 x 5	1
25	30-17031	Molded Seat Stay Protector	1
26	30-17638	CS Protector, Molded, Carbon	1
27	49-17999	Fender, Overmolded, Nomad4	1
28	30-17790	DT Protector, Overmolded	1
29	30-17788	Shuttle Guard, Overmolded	1
30	26-17015	Hose Grommet, Double	1
31	16-15558	Grommet 7x4x39.5	3
32	26-16271	MBx1.25x35 CHAMFERED BLK OX SS	1
33	26-18289	MBx1.25x42 CHAMFERED BLK OX SS	1
34	26-15634	142x12 DO BOLT, BLACK	1
35	23-16586	148x12 T/A DO	2
36	08-14622	DT RWS Axle 142x12	1
37	34-15542	36.4 FIXED SEAT COLLAR	1
38	26-12339	M5 Water Bottle Bolt Washer, Al	2
39	26-12338	M5x0.8x14 Water Bottle Bolt, Al	2
40	20-15654	HT Badge, SCB Stacked, Brushed Silver	1
41	20-12590	Clear Protective Sticker Sheet	1
42	26-18382	M4 x 12 Button Head, SS, Black	6



Line #	Part Number	Description	QTY/Frame
1	26-15534	Bolt, Al, M10x18	2
2	08-16291	Pivot Collet Axle, M15x1.5x68.5, 6061	1
3	08-16292	Pivot Collet Axle, M15x1.5x80.5, 6061	1
4	08-17721	Pivot Collet Axle, M15x1.5x94.5, 6061	1
5	26-15633	M6 Tapered Washer, Al, Black	3
6	26-15947	M6x1.0x20 SHCS 18-8SS Black Oxide	3
7	26-11817	M6 Washer 0.375OD x 0.25ID x 0.047T	3
8	11-12681	6900 2RS MAX BEARING	2
9	11-12218	6902 2RS Max Bearing	2
10	11-17708	6902 12 Bearing	4
11	26-15533	Washer, Al, 10 x 19 x 3	2
12	26-11905	7902 Seal Washer, Al	3
13	30-18384	Ear Protector, Machined	1
14	26-11909	Seal, 7902	4
15	26-11612	Pivot, Dust Shield, Al	2
16	26-17625	Spacer, Split, 15x18x22 LG	1
17	26-17012	Spacer, Split, 15x18x34.25 LG	1
18	26-17707	Spacer, Split, 15x18x47.7 LG	1
19	29-17636	Nomad 4 Lower Link, Forged	1
20	29-17637	Nomad 4 Upper Link, Forged	1
21	26-17065	FLIP CHIP 8MM THRU x 2.75 LG	1
22	26-17064	FLIP CHIP M6 x 2.75 LG	1
23	26-12678	M6 Grease Fitting	1
24	26-15532	Setscrew, M5x0.8 x 5	1
25	30-17031	Molded Seat Stay Protector	1
26	30-17638	CS Protector, Molded, Carbon	1
27	49-17699	Fender, Overmolded, Nomad4	1
28	30-17790	DT Protector, Overmolded	1
29	30-17788	Shuttle Guard, Overmolded	1
30	26-17015	Hesse Grommet, Double	1
31	16-15558	Grommet 7x4x39.5	3
32	26-16271	M8x1.25x35 CHAMFERED BLK OX SS	1
33	26-18289	M8x1.25x42 CHAMFERED BLK OX SS	1
34	26-15634	142x12 DO BOLT, BLACK	1
35	23-16586	148x12 T/A DO	2
36	08-14622	DT RWS Axle 142x12	1
37	34-15542	36.4 FIXED SEAT COLLAR	1
38	26-12339	M5 Water Bottle Bolt Washer, Al	2
39	26-12338	M5x0.8x14 Water Bottle Bolt, Al	2
40	20-15654	HT Badge, SCB Stacked, Brushed Silver	1
41	20-12590	Clear Protective Sticker Sheet	1
42	26-18382	M4 x 12 Button Head, SS, Black	6



Frame Style: SHOC
 On-Demand Simp Rep: EXP. VIEWS