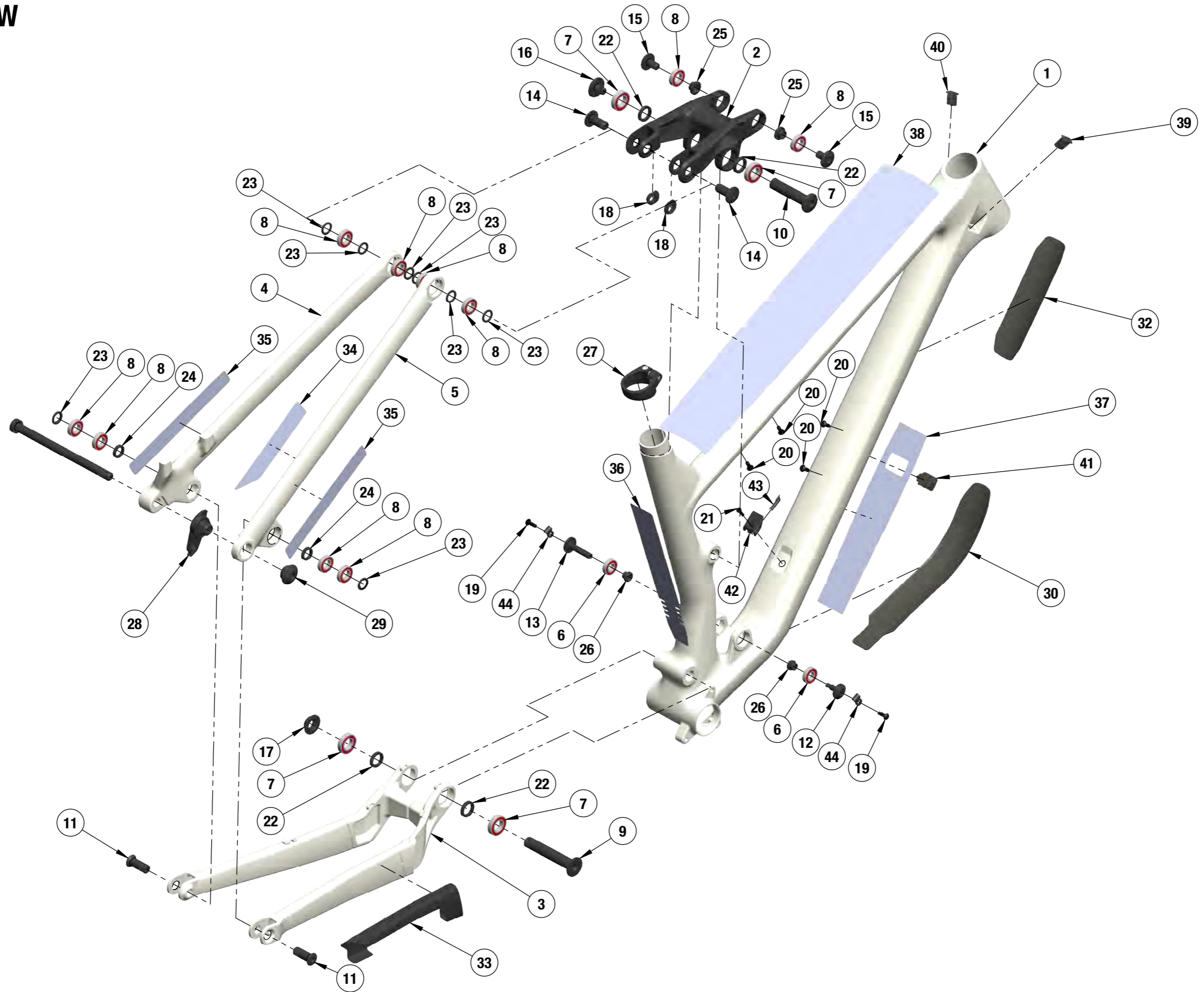




# SIGHT <sup>CARBON</sup>

---

FRAME ASSEMBLY & SERVICE PARTS REFERENCE



## BILL OF MATERIALS

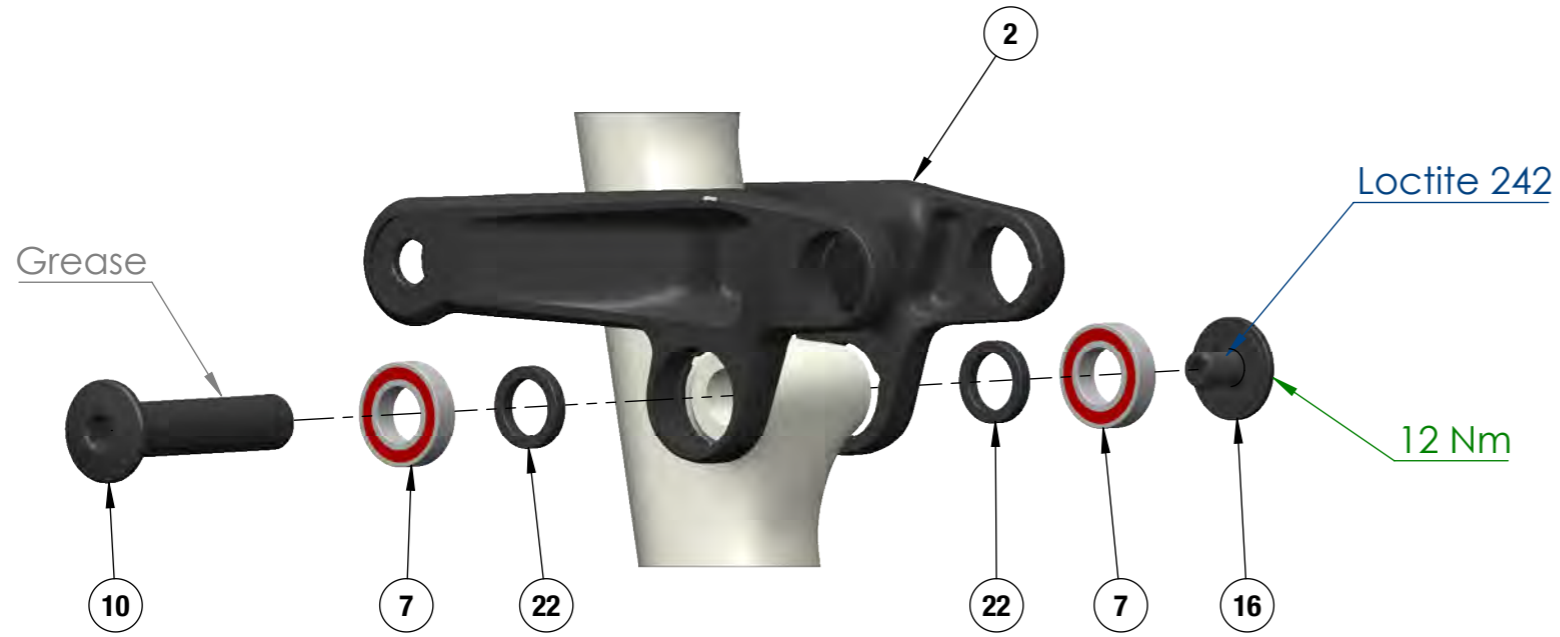


ITEM NO.	SERVICE PART NUMBER	QTY.	DESCRIPTION	MATERIAL	TORQUE
1	CONTACT CUSTOMER SERVICE	1	FT, SIGHT CARBON, MY20	CARBON	-
2		1	LA, SIGHT, MY20	ALUMINIUM	-
3		1	CS ASSY, SIGHT, MY20	ALUMINIUM	-
4		1	SS NDS CARBON, SIGHT, MY20	CARBON	-
5		1	SS DS CARBON, SIGHT, MY20	CARBON	-
6	913200-6900-EM	2	6900-LLU ENDURO MAX BEARING, 10X22X6MM	ALLOY STEEL	-
7	913200-6902-EM	4	6902-LLU ENDURO MAX BEARING, 15X28X7MM	ALLOY STEEL	-
8	913200-6901-EM	10	6901-LLU ENDURO MAX BEARING, 12X24X6MM	ALLOY STEEL	-
9	913500-016	1	SHAFT, DIA15, L86.5, M15X1.5, HEX8	7075-T6	-
10	913500-014	1	SHAFT, DIA15, L66.5, M10X1.5 INT, HEX8	7075-T6	-
11	913500-013	2	SHAFT, DIA12, L30.5, M12X1.25, HEX6	7075-T6	8 Nm
12	913800-025	1	SHAFT, DIA8, L24.5, M6X1 EXT, HEX5	SUS630 SS BAR	8 Nm
13	913800-026	1	SHAFT, DIA8, L24.5, M6X1 INT, HEX5	SUS630 SS BAR	-
14	913500-019	2	SHAFT, M12X1.25, L26.5, HEX5	7075-T6	8 Nm
15	913800-005	2	BOLT, M10X1, L17, HEX5	7075-T6	8 Nm
16	913700-003	1	BOLT, M10X1.5, L13, HEX5	7075-T6	12 Nm
17	913700-005	1	NUT, M15X1.5, 18HEX	7075-T6	14 Nm
18	913700-006	2	NUT, M12X1.25, KEYED	AISI 316 SS BAR	-
19	913400-041	2	M5X14MM BUTTON HEAD CAP	STEEL, BLACK CHROMATE	3 Nm
20	913400-031	4	M5X12MM BUTTON HEAD CAP	STEEL, BLACK CHROMATE	3 Nm
21	913400-030	1	M4X12MM LOW HEIGHT SOCKET HEAD CAP	STEEL, BLACK CHROMATE	3 Nm
22	913300-003	4	SPACER, ID15, OD22, L4	7075-T6	-
23	913300-002	8	SPACER, ID12, OD18, L2	7075-T6	-
24	913300-001	2	SPACER, ID12, OD18, L4	7075-T6	-
25	913800-006	2	TOPHAT, ID10, OD12, L3.5	AISI 316 SS BAR	-
26	913800-024	2	TOPHAT, ID8, OD10, L3	AISI 316 SS BAR	-
27	915000-008	1	NORCO SEATPOST CLAMP, 38.0mm	ALUMINIUM	-
28	913015-006	1	RD HANGER, 2 PIECE, UDH V2, M12X1.75	ALUMINIUM	-
29	913020-004	1	RD HANGER, 2 PIECE, UDH BOLT V2, M12X1.75	7075-T6	20 Nm
30	915100-011	1	DT GUARD LONG, SIGHT CARBON, MY20	POLYURETHANE	-
31	915100-012	1	DT GUARD, SIGHT CARBON, MY20	POLYURETHANE	-
32	915500-011	2	SHUTTLE GUARD, SIGHT, MY20	POLYURETHANE	-
33	915200-019	1	CS GUARD, SIGHT, MY20	POLYURETHANE	-
34	915300-004	1	SS INNER PROTECTOR, SIGHT CARBON, MY20	SILICONE	-
35	915300-005	2	SS HEEL RUB PROTECTOR, SIGHT, MY20	POLYURETHANE	-
36	915100-014	1	ST PROTECTOR, SIGHT CARBON, MY20	POLYURETHANE	-
37	915100-013	1	MID DT PROTECTOR, SIGHT CARBON, MY20	POLYURETHANE	-
38	915100-015	1	TT PROTECTOR, SIGHT CARBON, MY20	POLYURETHANE	-
39	914100-037	1	GIZMO3, 2P, 5mm & BLANK	EPDM RUBBER	-
40	914100-027	1	GIZMO3, 2P, 5mm & 6mm	EPDM RUBBER	-
41	914100-029	1	GIZMO, DT CABLE TIE GROMMET	EPDM RUBBER	-
42	914100-015	1	GIZMO2, TWO POSITION CABLE COVER	NYLON	-
43	914100-017	1	GIZMO2, 4mm REDUCER PORT	NYLON	-
44	914100-036	2	YF SINGLE CABLE P-CLIP	PLASTIC	-

ADDITIONAL FRAME INFORMATION	
AVAILABLE FRAME SIZES	S, M, L, XL
WHEEL SIZE	27.5" & 29"
S.H.I.S.	ZS44/28.6   ZS56/40
MAX. FORK LENGTH, OFFSET [mm]	562, 37 (27.5"); 581, 44 (29")
BB TYPE, WIDTH [mm]	PRESS FIT, 92
MAX CHAINRING SIZE	36; 34 ON SMALL
OLD [mm]	148
REAR BRAKE MOUNT [mm]	180, POST
SEATPOST DIAMETER [mm]	34.9
RECOMMENDED TIRE SIZE [IN.]	27.5" & 29" : 2.4" - 2.6"
SHOCK DIMENSIONS [LENGTH X STROKE] [mm]	185 X 52.5
SHOCK HARDWARE - BODY (W X ID) [mm]	30X8
SHOCK HARDWARE - SHAFT (W X ID) [mm]	TRUNNION
REAR AXLE TYPE	TA 12mm L174/TL20/M12X1.75
ISCG 05 MOUNTS	YES

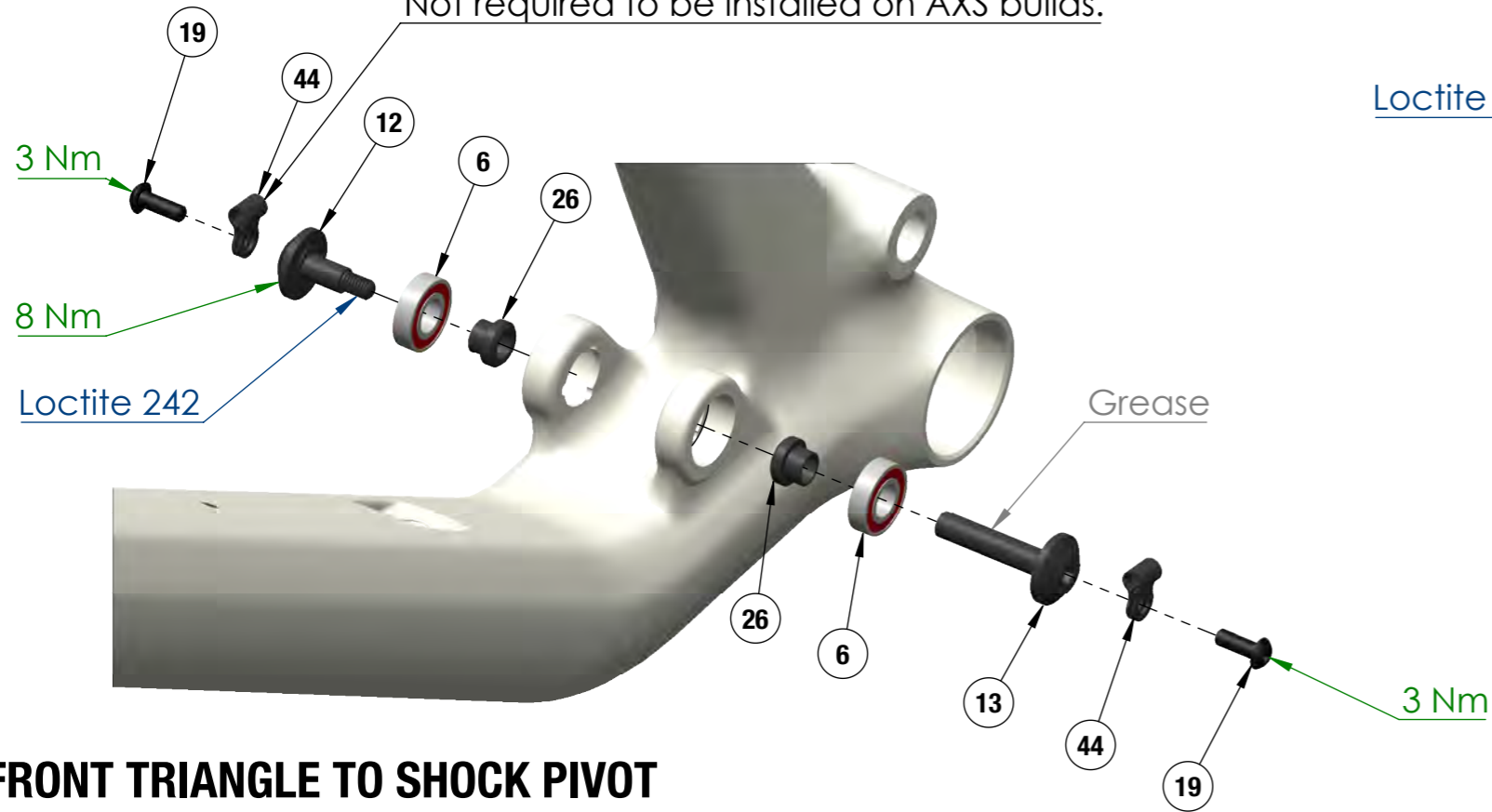
ADDITIONAL SERVICE PARTS			
ITEM NO.	SUPPORT PART NUMBER	QTY.	DESCRIPTION
1	914100-028	1	GIZMO3, 2P, BLANK

PIVOT HARDWARE

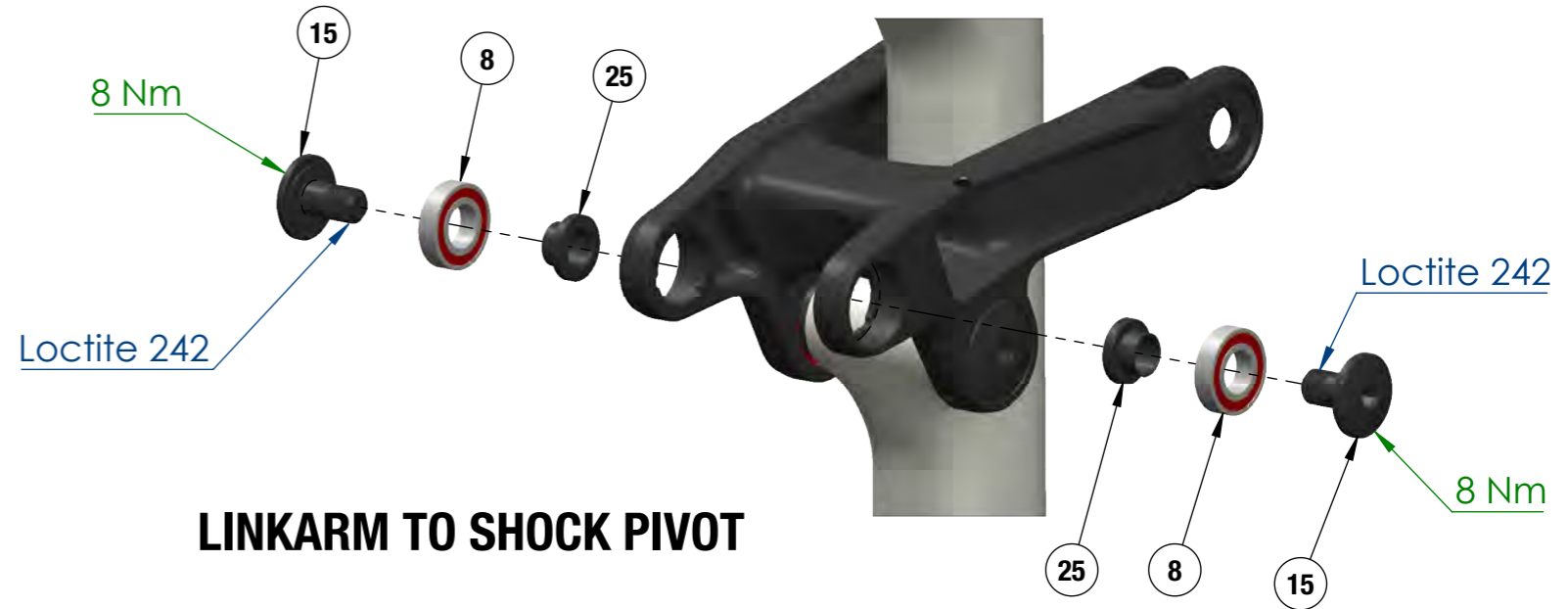


FRONT TRIANGLE TO LINKARM PIVOT

Orient (44) with the P-clip facing up.  
 Not required to be installed on AXS builds.

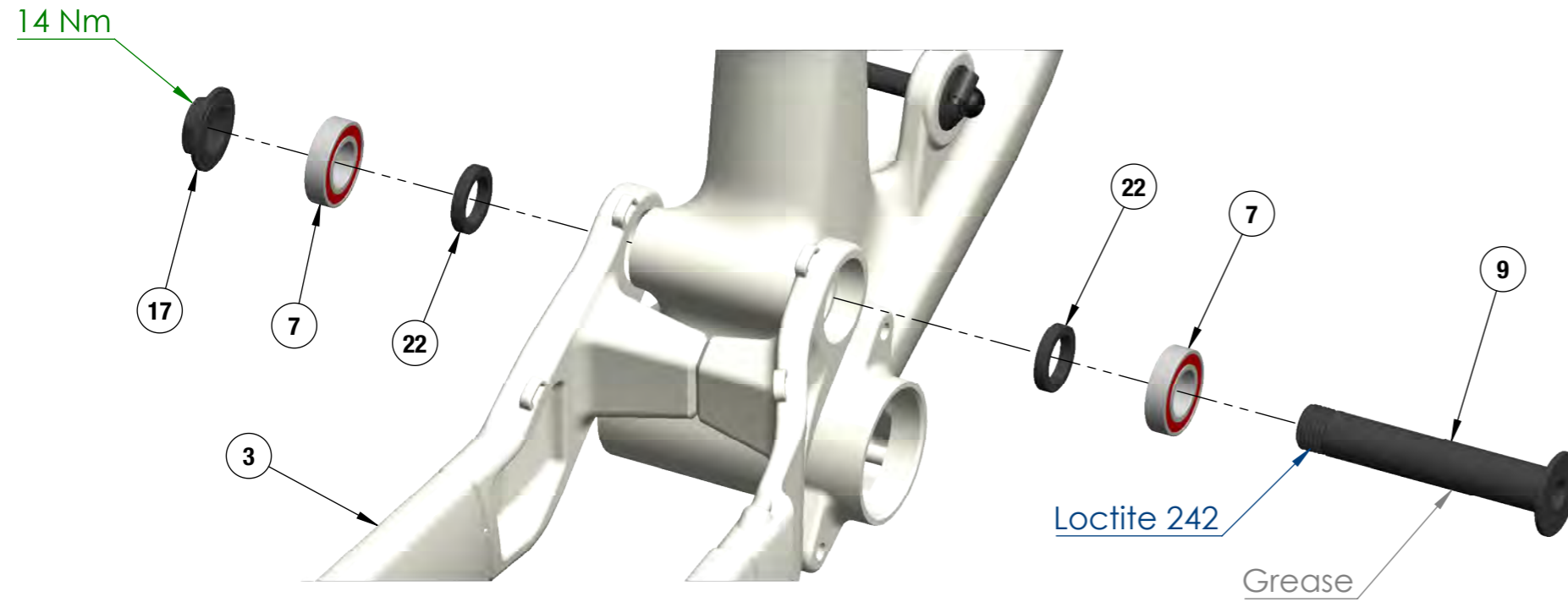


FRONT TRIANGLE TO SHOCK PIVOT

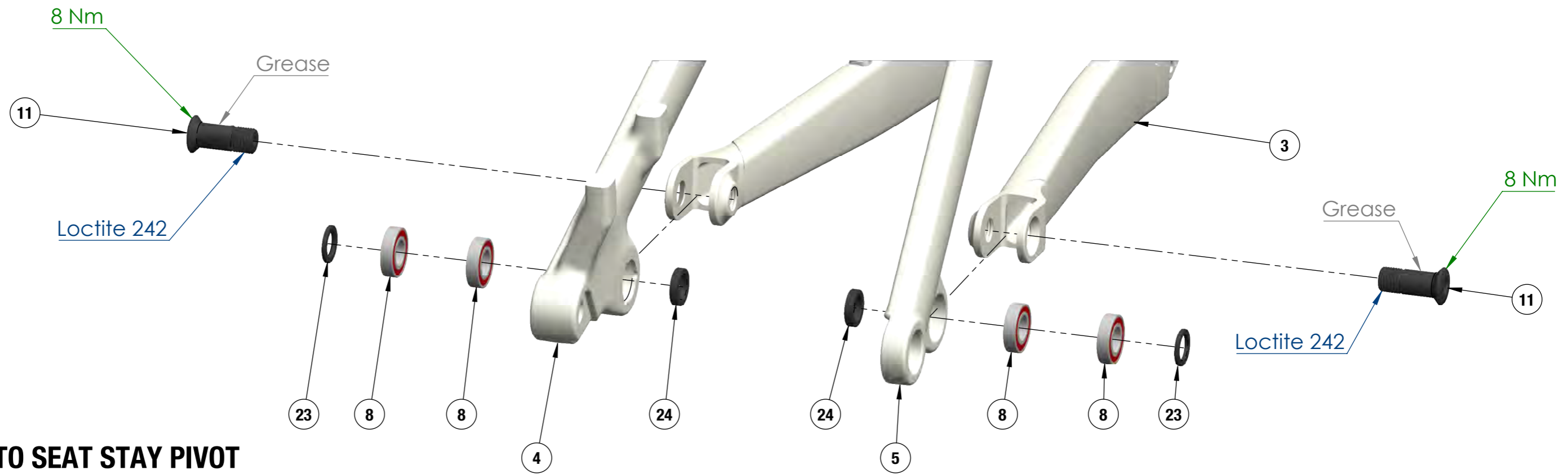


LINKARM TO SHOCK PIVOT

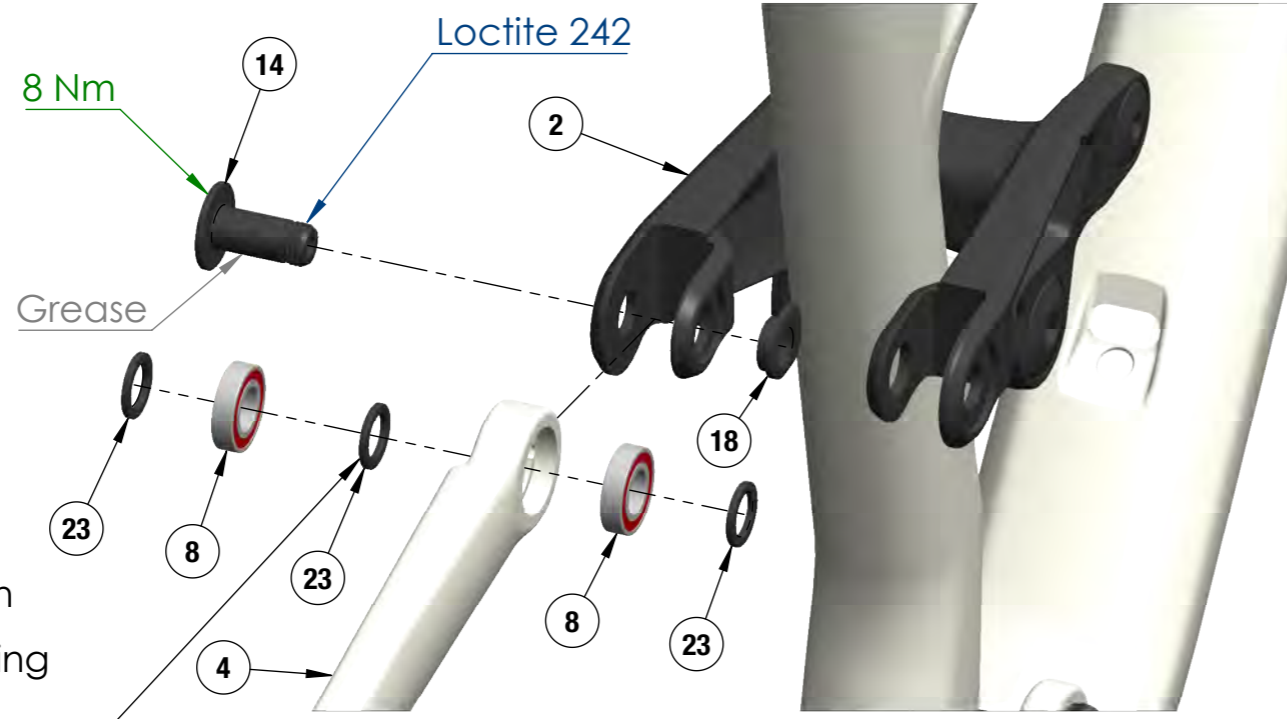
Note: Use Loctite 242 or equivalent as medium strength threadlocker.



CHAIN STAY TO FRONT TRIANGLE PIVOT

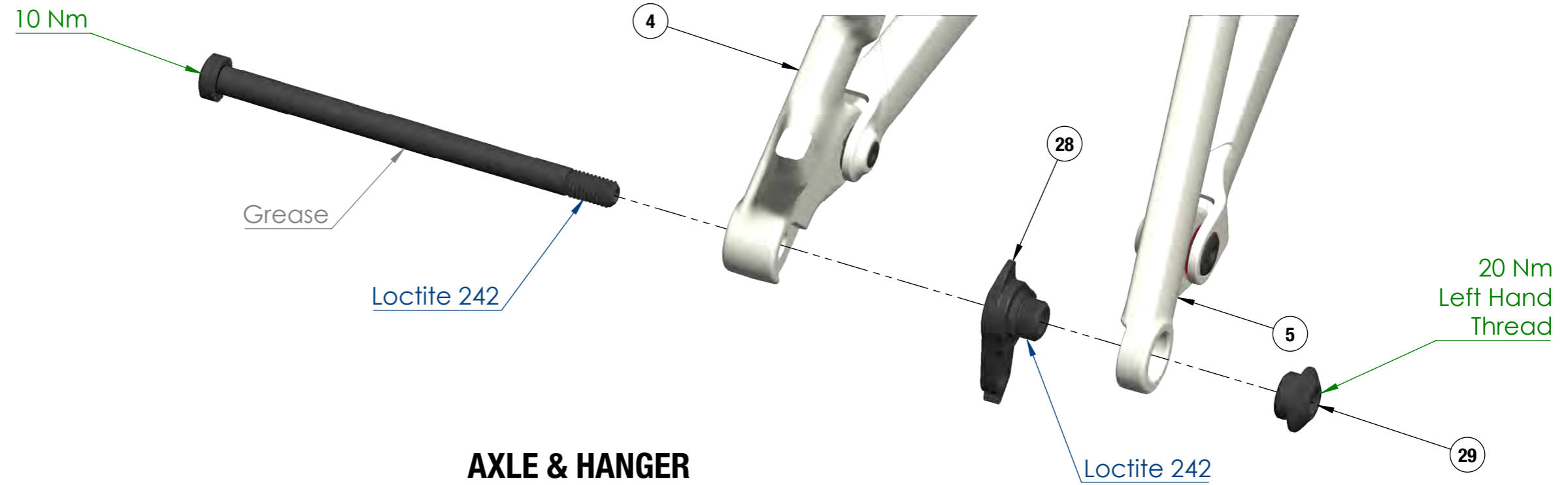


CHAIN STAY TO SEAT STAY PIVOT

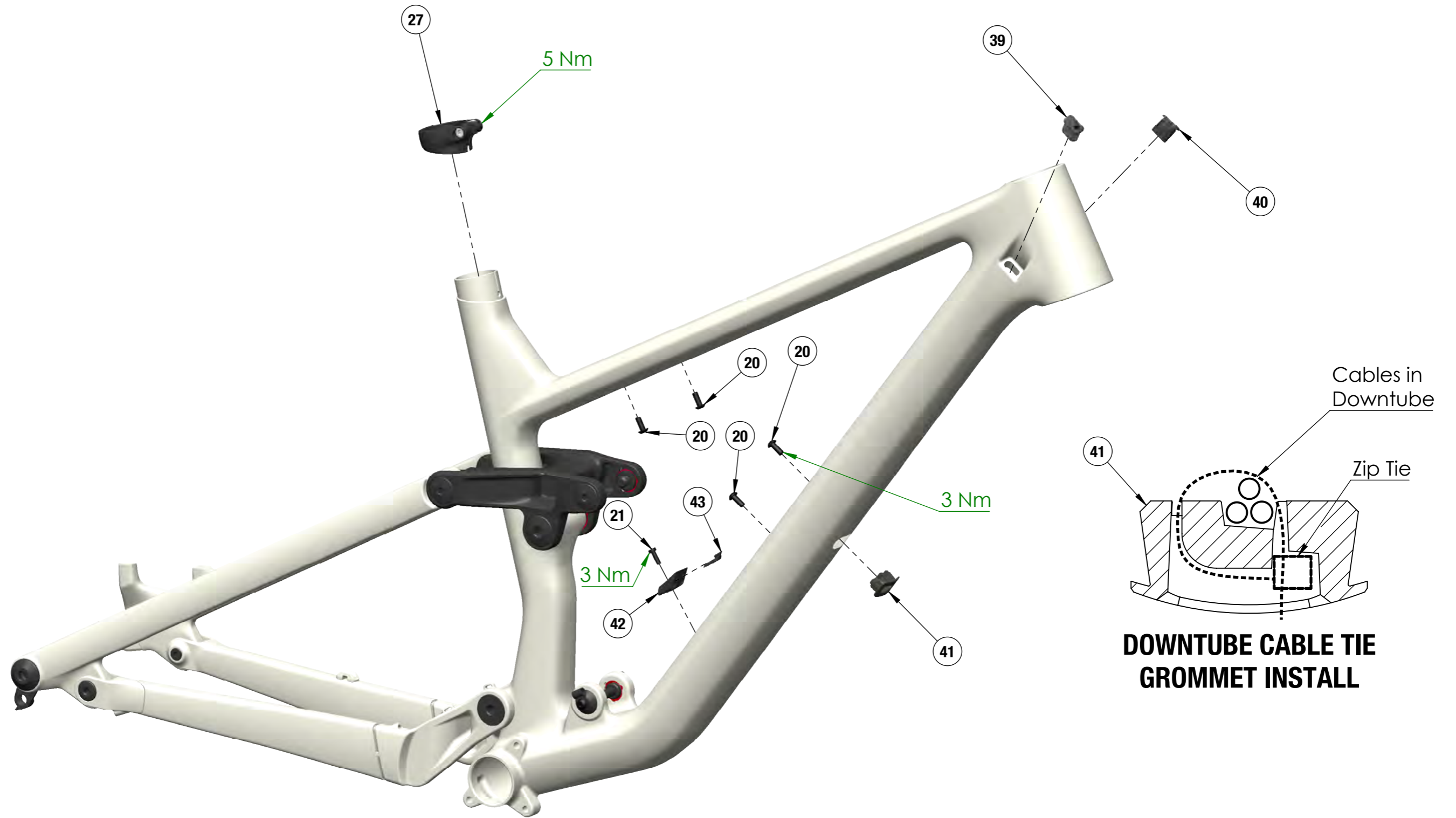


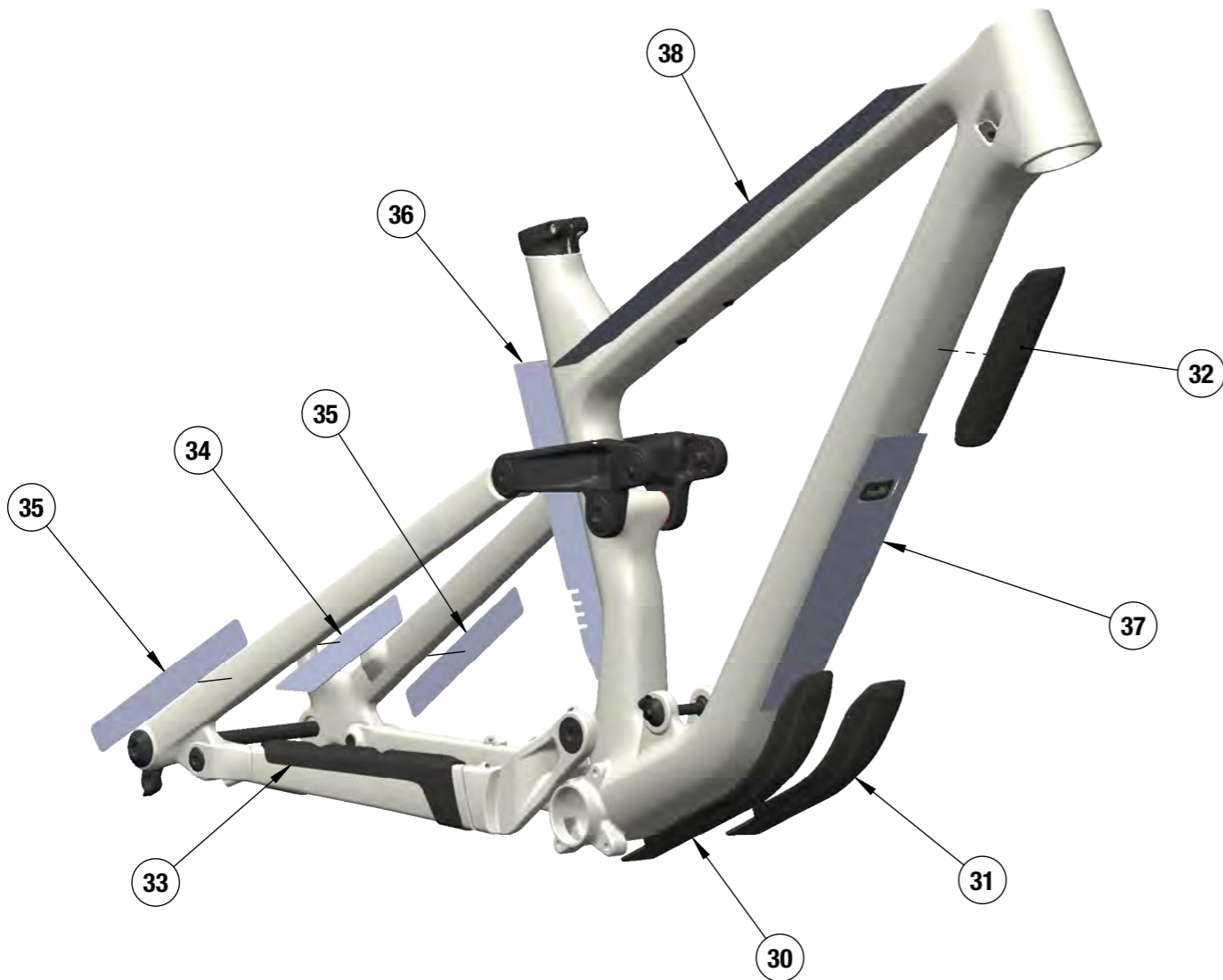
Place **23** in between bearings before pressing them in.

**LINKARM TO SEAT STAY PIVOT**  
SAME ARRANGEMENT ON BOTH SIDES



**AXLE & HANGER**

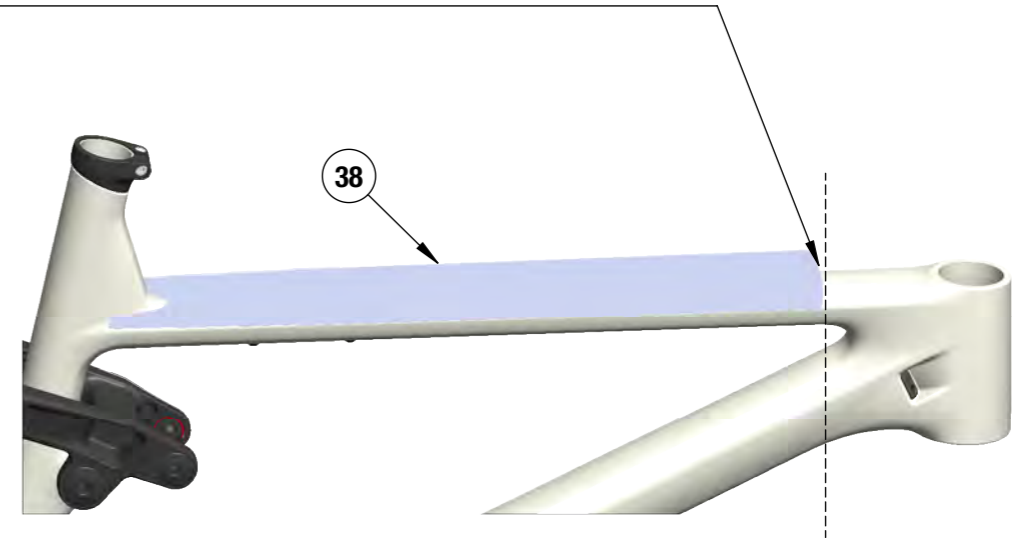




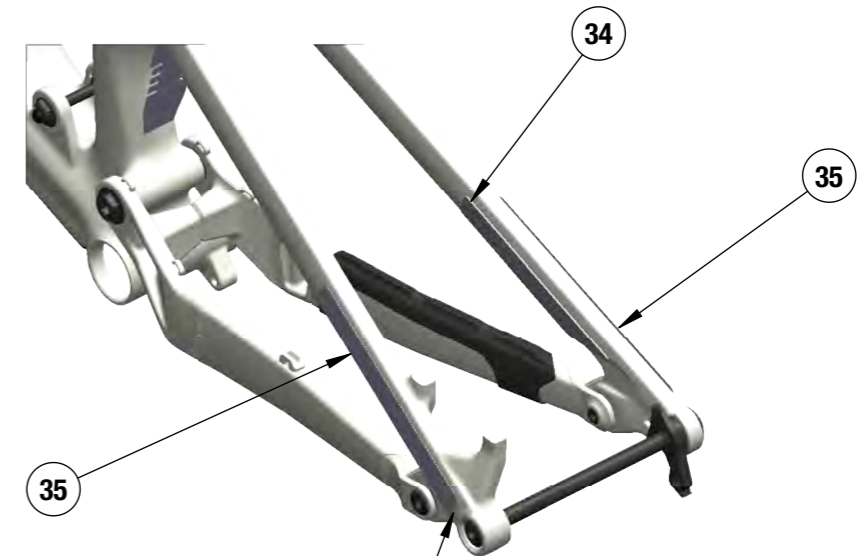
Note: Different downtube protectors are installed depending on frame and wheel sizes. Refer to the table below:

Wheel Size	Frame Size	30	31
27.5"	S	1	
	M		1
	L		1
	XL		1
29"	S	1	
	M	1	
	L		1
	XL		1

Align front of wide section of 38 with straight section of Top Tube. Do not mount 38 forward of straight Top Tube.



**TOP TUBE PROTECTOR**

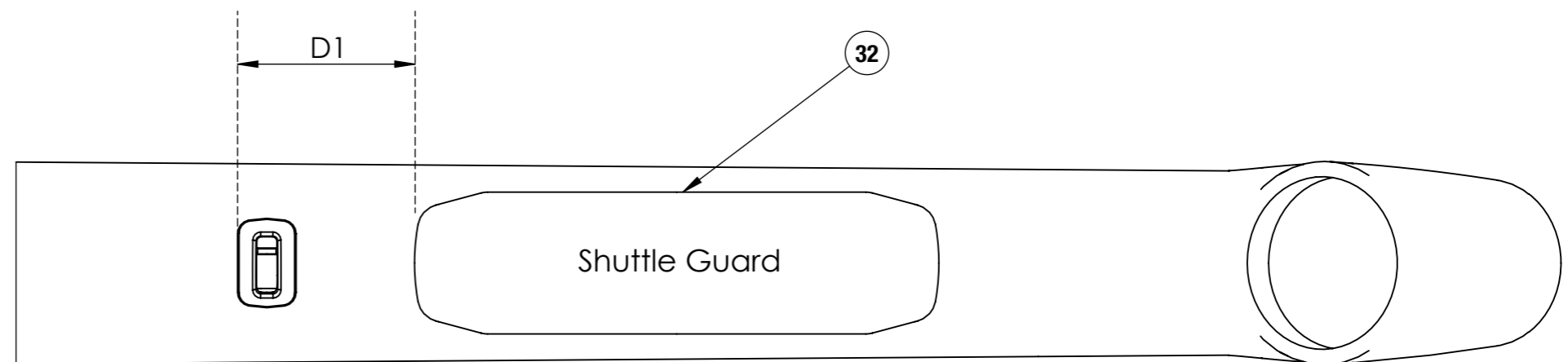
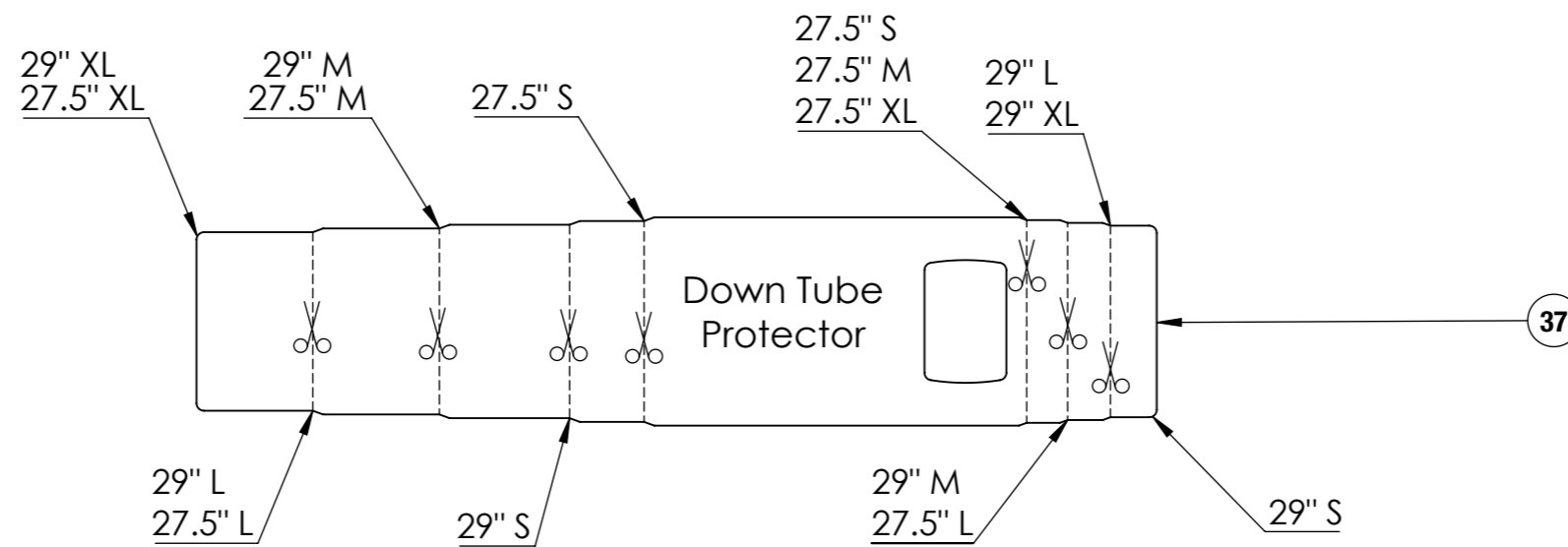
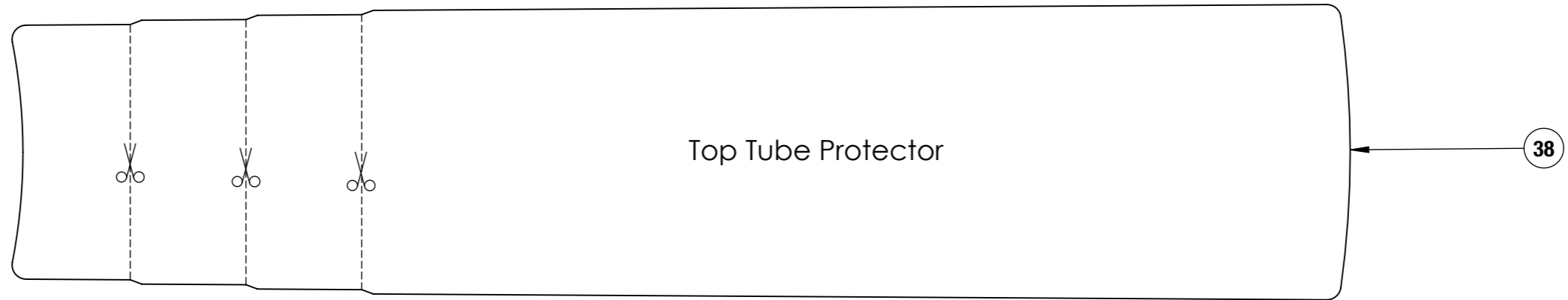


Space 35 6mm from end of axle head on seat stay. Same condition on drive side.

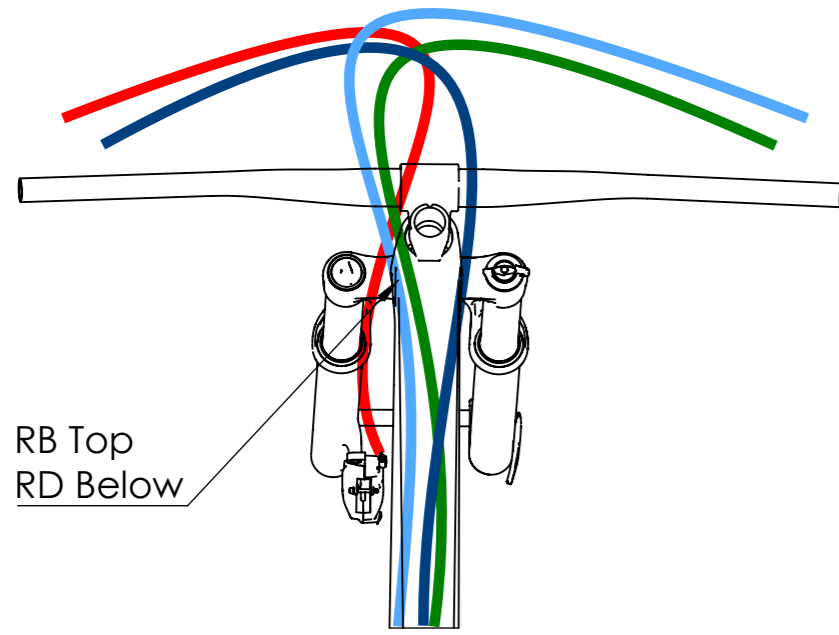
**SEAT STAY PROTECTORS**



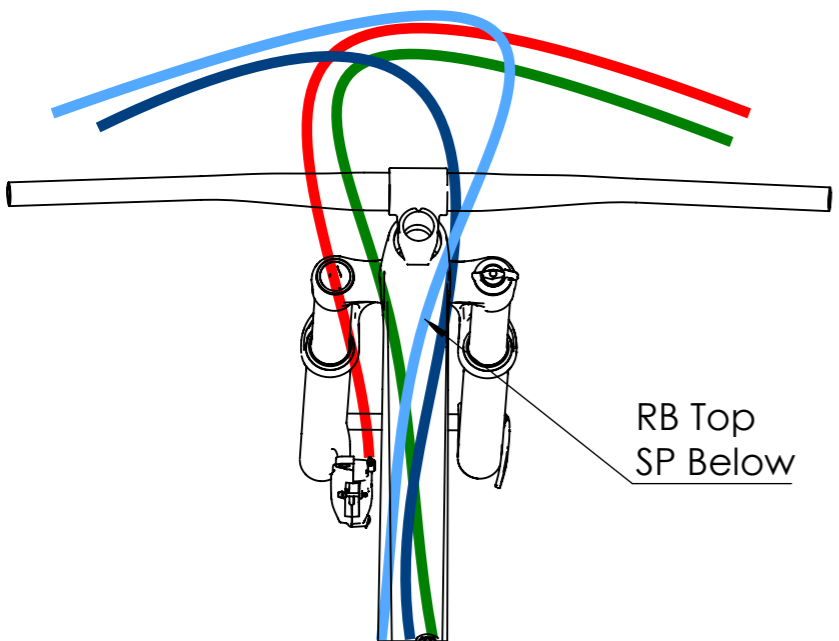
29" XL    29" L    29" M    29" S  
27.5" XL    27.5" L    27.5" M    27.5" S



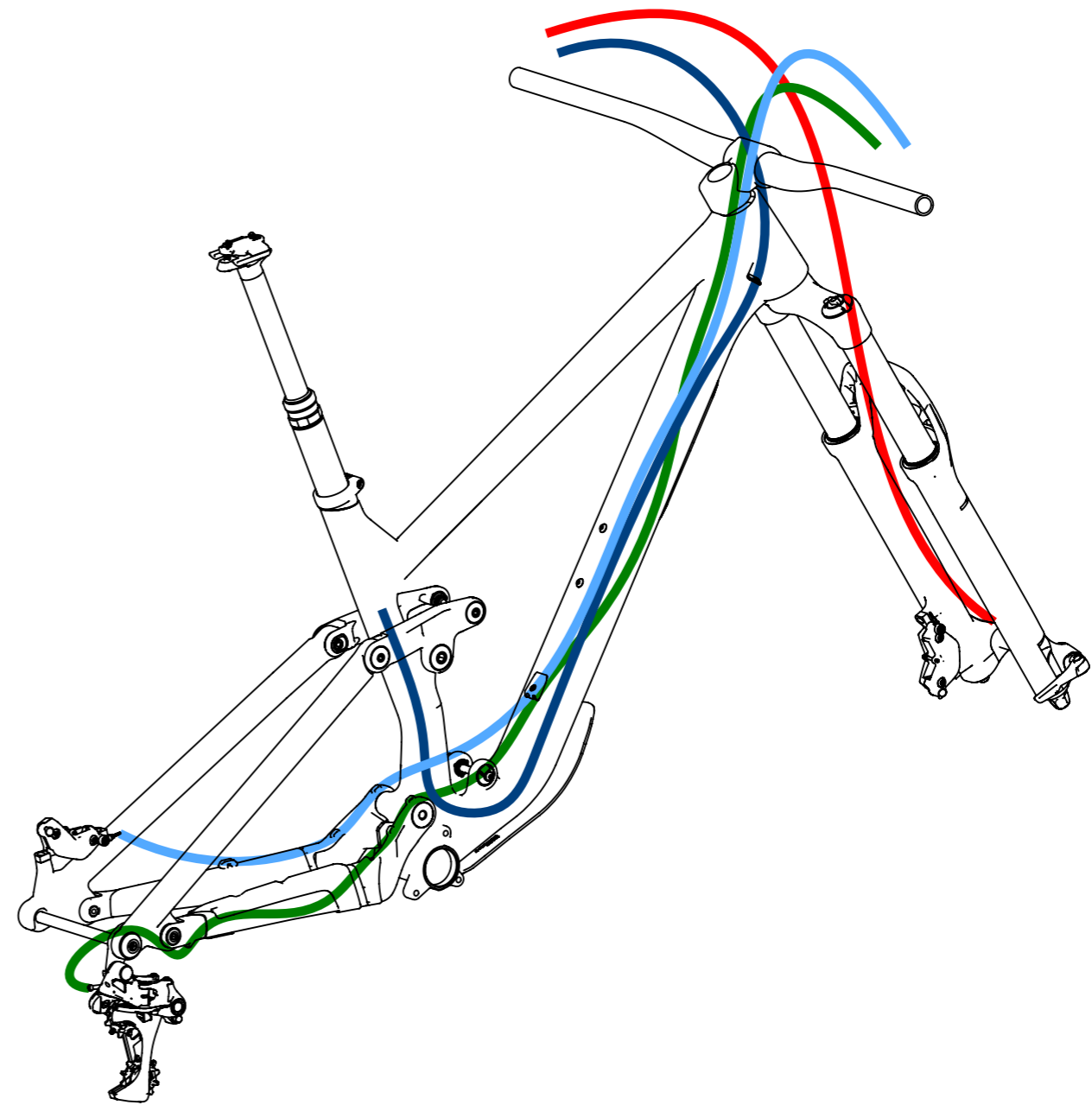
FRAME SIZE	DIMENSION D1 [mm]	
	27.5"	29"
S	32	64
M	34	40
L	39	51
XL	28	55







**STANDARD LAYOUT**



**SELECT INTERNATIONAL LAYOUT**



Legend	
	Front Brake Hose (FB)
	Rear Brake Hose (RB)
	Rear Derailleur Cable (RD)
	Seatpost Cable (SP)