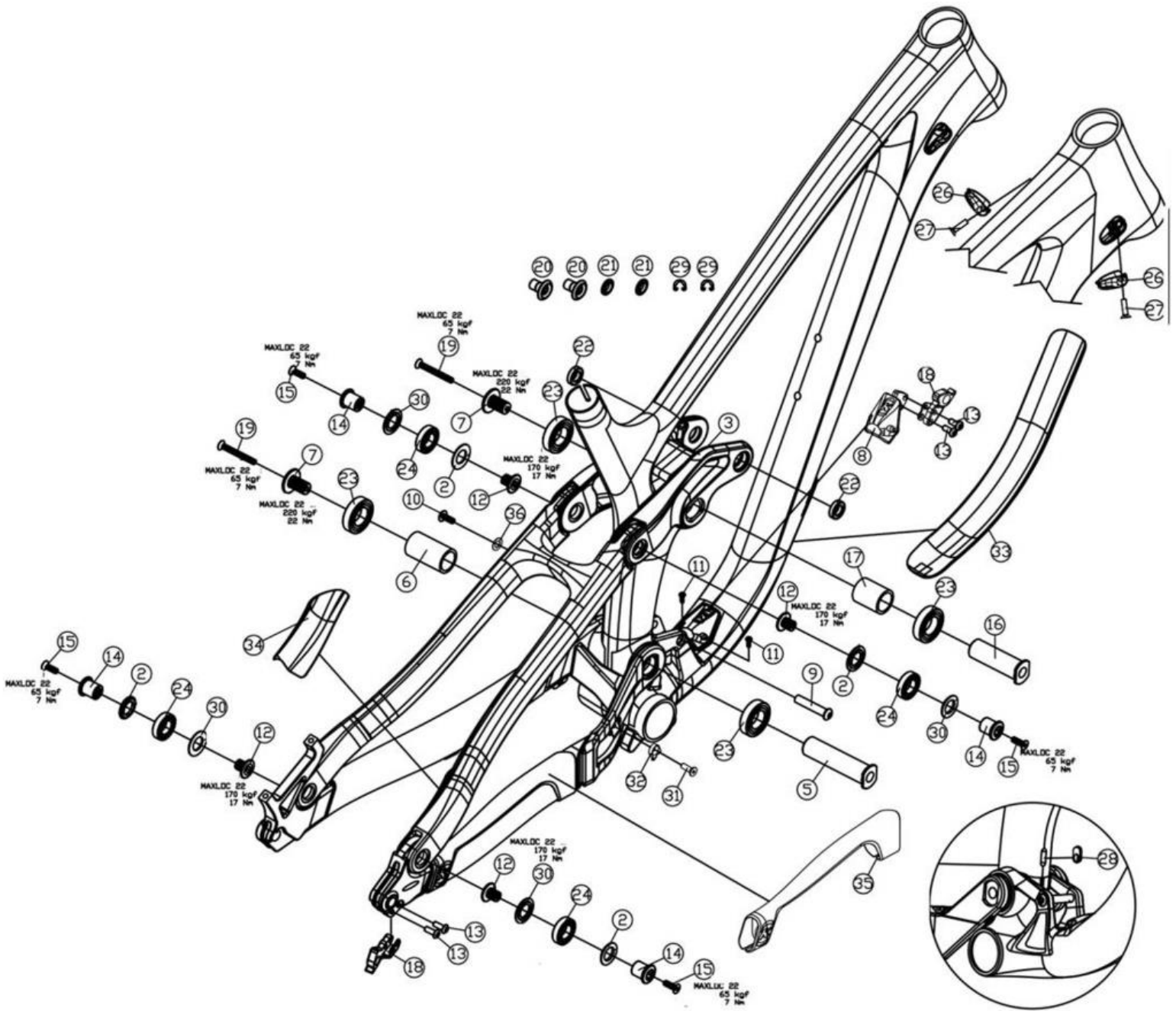


# Kona Process 153 Link Install



Location Description	Torque Range
Rocker Pivot Male Fixing Bolt - Rocker Assembly to Seat Tube	22 Nm
Lower Shock Bolt Assembly Male Fixing Bolt	5-7 Nm
Hide-a-Hanger Fixing Bolt	5-7 Nm
Pivot Fixing Bolt - Chain Stay to Seat Stay	17 Nm
Derailleur Hanger Fixing Bolt	5-7 Nm
Male Fixing Bolt - Seat Stay to Rocker Assembly	7 Nm
Male Fixing Bolt - Main Pivot Assembly	7 Nm
Trunnion Fixing Bolt	5-7 Nm
Cable Guide Fixing Bolt	5-7 Nm
Chain Stay Cable Guide	5-7 Nm